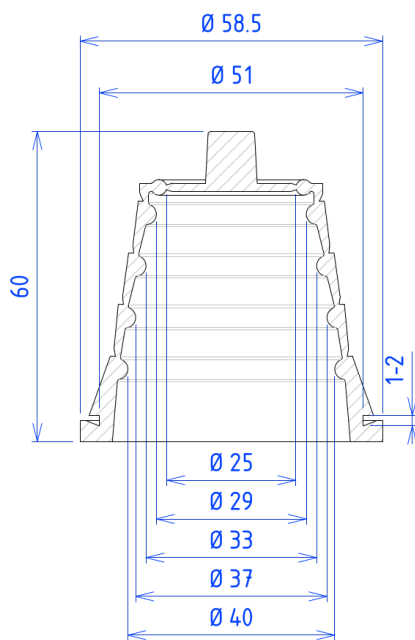




HLT-Grommets

Underfloor heating pipe grommets. Country of manufacture Finland, CE-marked, halogen free material TPE. Operating temperature -40 +100C.

HLT-50 Into the hole 50mm, for pipes 28-30/32-34/35-36/40-41/42-43 mm



HLT-75 Into the hole 75mm, for pipes 40-45/50-52/54-56/63-65mm

