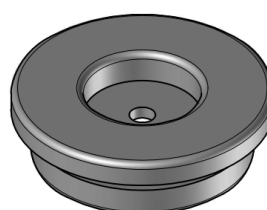
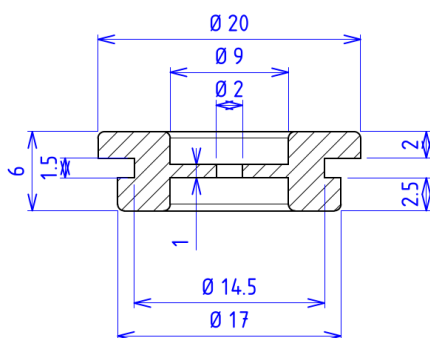




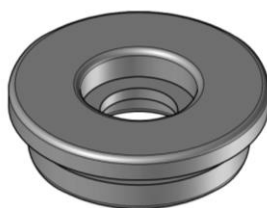
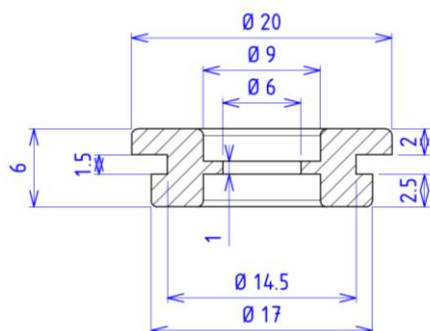
**HT HI TECH
POLYMERS OY**

Normal grommets

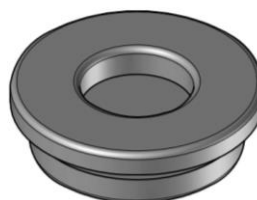
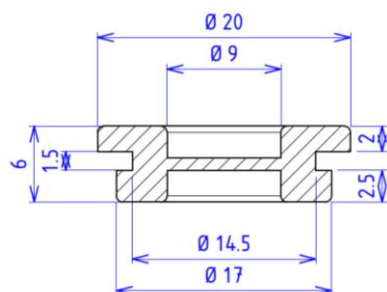
Halogen free material TPE-SEBS, TPE-SEBS V0. Operating temperature -40C+100C



1053L



1054L



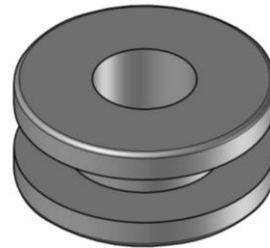
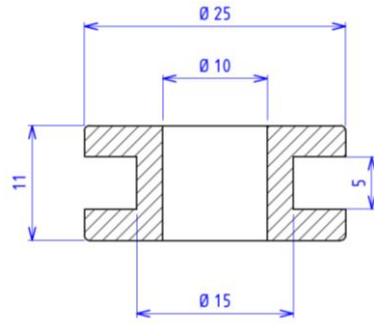
1055L

HT HI Tech Polymers Oy
Hallitie 1
32740 Sastamala
Finland

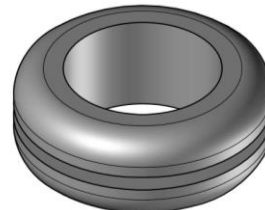
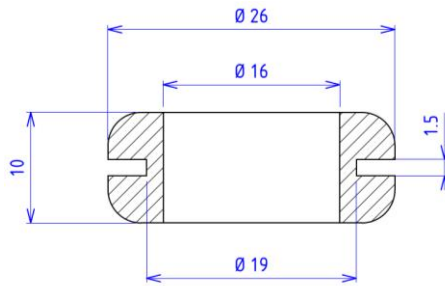
Phone +358 3 8828 600
email: firstname.lastname@hitech-polymers.fi

www.hitech-polymers.fi

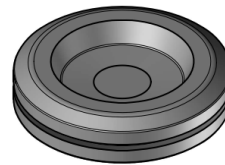
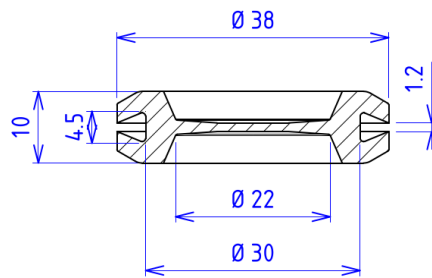
VAT: FI06768280
FI2256600620095281
OKOYFIHH



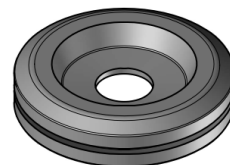
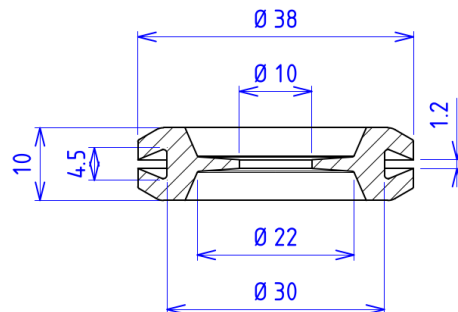
30314000



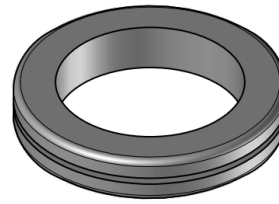
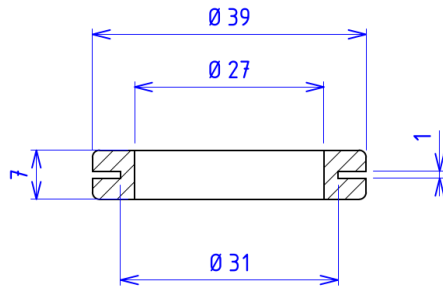
5010



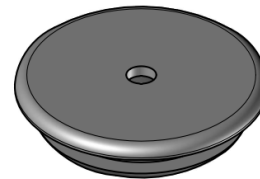
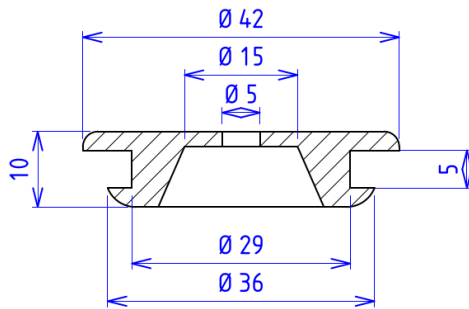
30176200



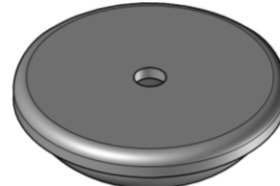
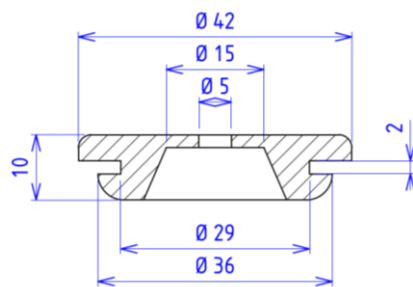
30145900



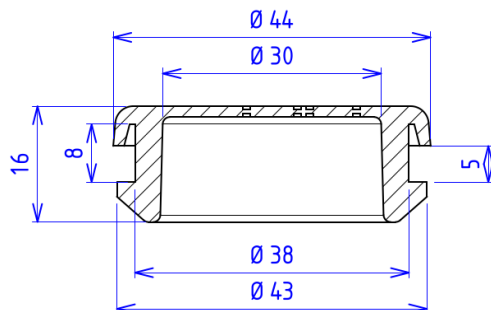
1061L

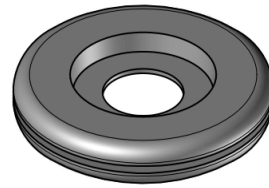
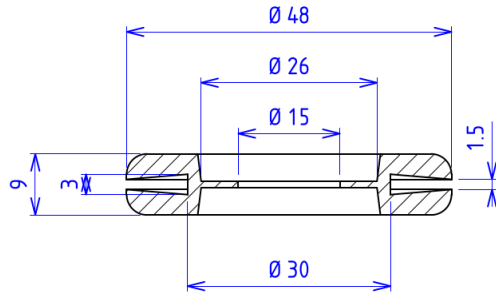


334130-56

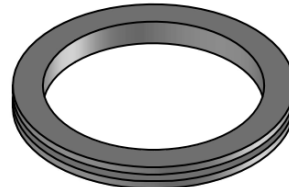
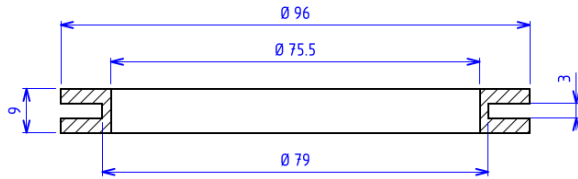


5100

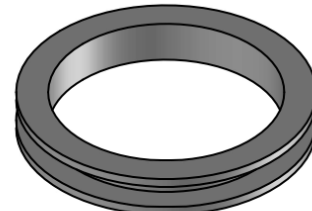
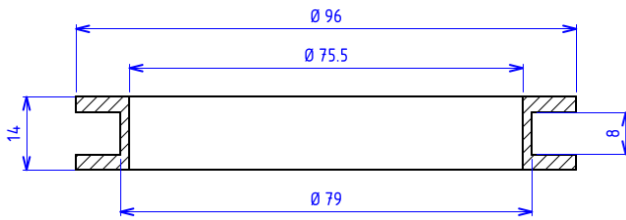




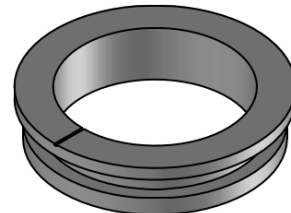
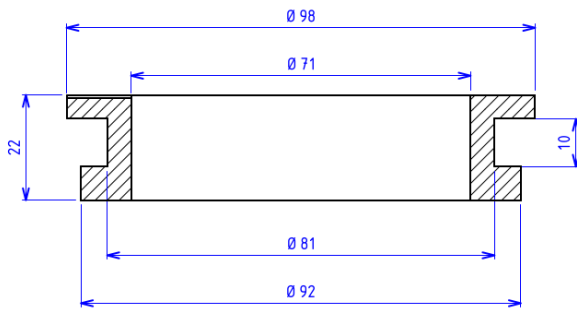
30234000



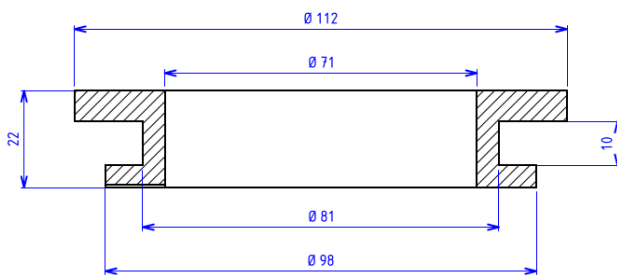
5472-4



5472-42



D92



D112