



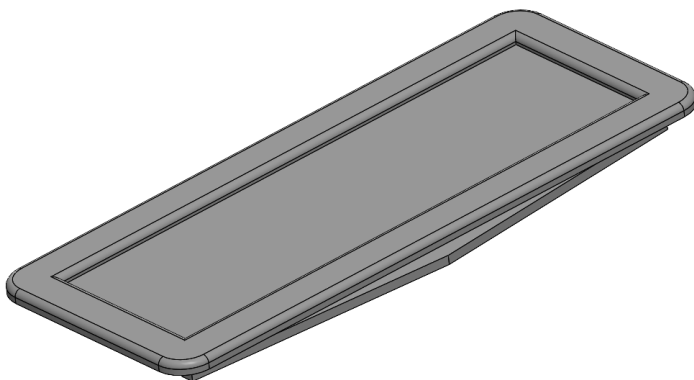
**HT HI TECH
POLYMERS OY**

KWH-U and KWH-A

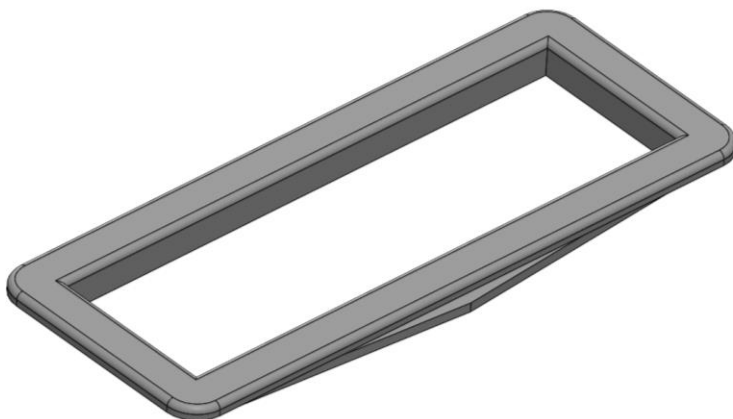
Cable opening protection KWH meter

Suitable for 30mm x 90mm holes, halogen free material TPE-SEBS 90 ShA, operating temperature -40 +100C, country of manufacture Finland, FI, CE-marked.

KWH-U closed model



KWH-A open model



HT HI Tech Polymers Oy
Hallitie 1
32740 Sastamala
Finland

Phone +358 3 8828 600
email: firstname.lastname@hitech-polymers.fi

www.hitech-polymers.fi

VAT: FI06768280
FI2256600620095281
OKOYFIHH