



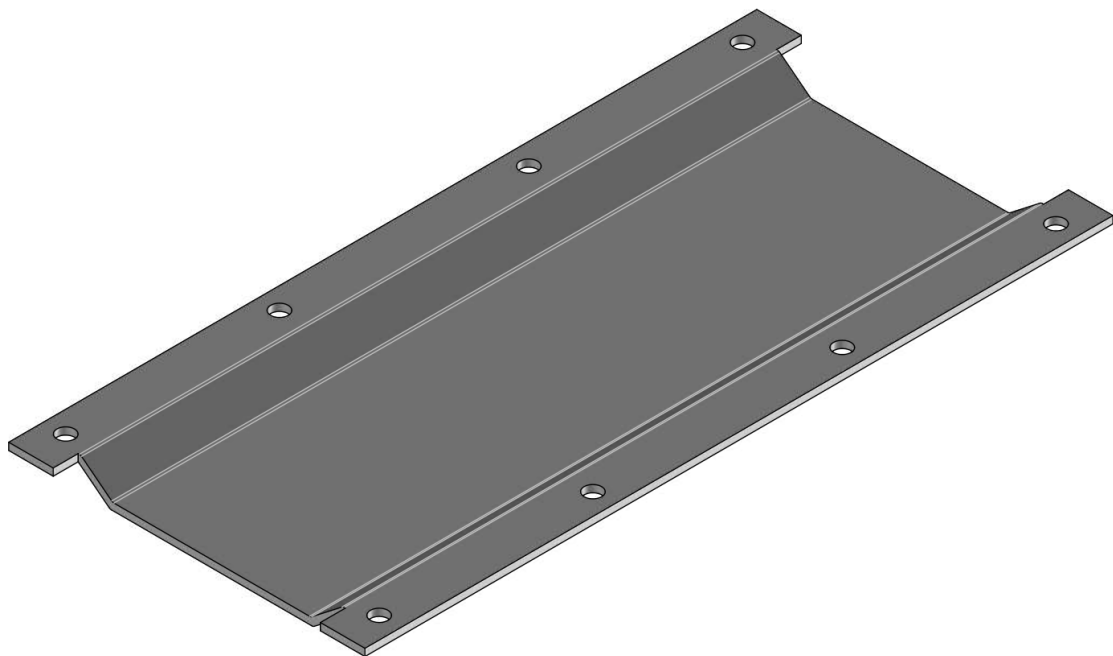
**HT HI TECH
POLYMERS OY**

KTL-0

End flange for busbar

Material polycarbonate PC V0, fixing holes 6mm 8 pcs, interval holes 88mm x 60mm/130/190mm, operating temperature -20 +100 C, country of manufacture Finland, FI, CE marked.

code	GTIN-code	colour
KTL-0		grey RAL 7035



HT HI Tech Polymers Oy
Hallitie 1
32740 Sastamala
Finland

Phone +358 3 8828 600
email: firstname.lastname@hitech-polymers.fi

www.hitech-polymers.fi

VAT: FI06768280
FI2256600620095281
OKOYFIHH