



**HT HI TECH  
POLYMERS OY**

# HTL-Grommets

HTL-20 , HTL-25

Halogen free material TPE-SEBS, TPE-SEBS V0, IP-class IP65, operating temperature -40 +100 C, country of manufacture Finland, FI, CE-marked. If you need something else sizes what we not have, send information to us.

**HTL 20-3** 4-8 MM 2 pcs / 5-9,5 mm 1 pc

**HTL 20-4** 4-7 mm 4 pcs



**HTL 25-3**

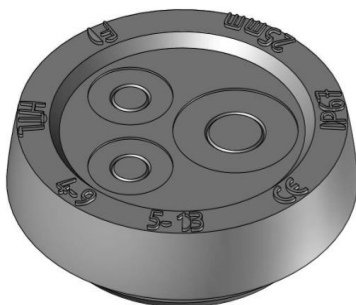
4-9 mm 2 pcs / 5-13 mm 1 pc

**HTL 25-4**

4-9 mm 4 pcs

**HTL 25-6**

3-5 mm 4 pcs / 4,5-9 mm 2 pcs



HT HI Tech Polymers Oy  
Hallitie 1  
32740 Sastamala  
Finland

Phone +358 3 8828 600  
email: [firstname.lastname@hitech-polymers.fi](mailto:firstname.lastname@hitech-polymers.fi)

[www.hitech-polymers.fi](http://www.hitech-polymers.fi)

VAT: FI06768280  
FI2256600620095281  
OKOYFIHH