



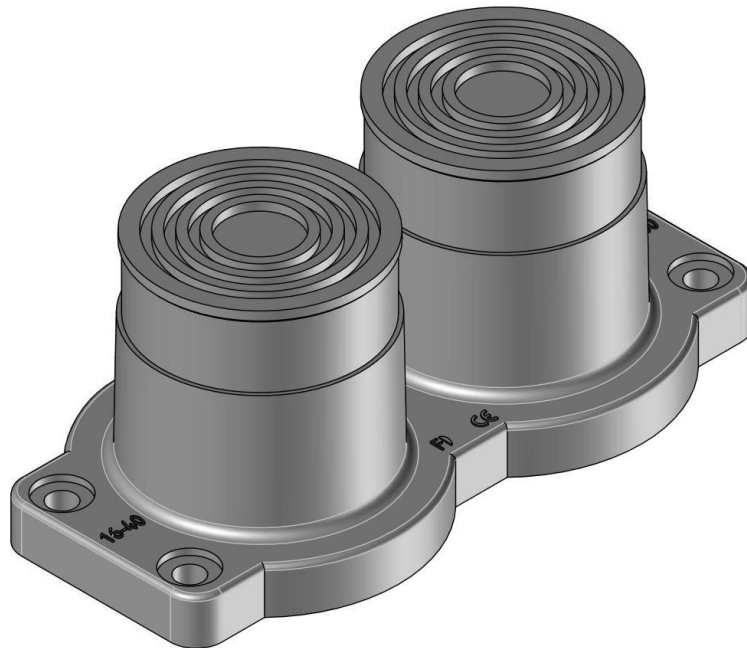
**HT HI TECH  
POLYMERS OY**

## HIK-FL13-2

Suitable for FL13 hole, fixing holes 6mm, hole interval 120mm x 30mm, the mounting hole must be modified if the largest cable is used, IP-class IP65, halogen free material TPE-SEBS, TPE-SEBS V0, operating temperature -40 +100 C, country of manufacture Finland, FI, CE marked. Two clamps include in the prices, one sealing and metal fasteners, the product is packed in a plastic bag

Bushing points: 2 x 16mm - 40mm

code	GTIN-code	colour
HIK-FL13-2	06430056160115	black
HIK-FL13-2 V0	06430056160139	black



HT HI Tech Polymers Oy  
Hallitie 1  
32740 Sastamala  
Finland

Phone +358 3 8828 600  
email: [firstname.lastname@hitech-polymers.fi](mailto:firstname.lastname@hitech-polymers.fi)

[www.hitech-polymers.fi](http://www.hitech-polymers.fi)

VAT: FI06768280  
FI2256600620095281  
OKOYFIHH